

Outdoor Clocks (also suitable for large halls)

four faces, backlighted



Outdoor
analog
four faces

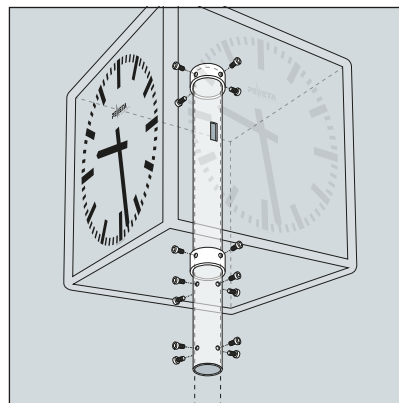
Type series
790



71.790.626 shown
with pole adapter 01.790.001

Extraordinarily sturdy **high quality industrial grade** outdoor clocks. Also suitable for indoors, e.g. for large halls. Solid workmanship, backlighted, weather protected case (IP54/EN 60 529).

We provide a ready-to-install product which can be mounted and connected without problem. The clock contains finished electrical wiring as well as mechanical fixing points for mounting. On request, we will be happy to support you with additional mounting instructions and other information.



Pole adapter 01.790.001
As a minimum, the pole must be inserted up to the floor plate of the clock case. For optimum stability, however, the pole should reach as far as the top panel of the clock case.



Different face and hand variations are possible (option).

**Clock cubes
for indoor use**

see pages 84 ... 87.

Case

- cir. 780 x 780 x 780 mm weight cir. 80 kg
- cir. 980 x 980 x 980 mm weight cir. 100 kg

Weatherproof metal case, four faces, including light fitting. Frame of extruded hollow aluminium mouldings, neatly mitred at all corners. Clock faces are attached to frame with hidden stainless steel hinges and inspection latches for maintenance access. Interior of case permanently ventilated to avoid condensation. Outside surface anodised in silver (E6/EV1) as standard, or, at a surcharge, custom enamelled (option).

Mounting

As standard, no mounting fixtures are included in delivery shipment.

Optional mounting accessories:

- A reinforced floor plate for mounting on solid ground
- A pole adapter for centred mounting, diameter adapted to the existing pole. The adapter extends from the bottom of the clock case's top panel as far as 300 mm below the floor plate of the case. The pole may be inserted into the inside of the clock case at will.

The clock case is designed for wind loads of up to cir. 0.5 KN/m² (standard value). Actual wind loads depend on the individual location and have to be accounted for locally. This considered, a sufficiently firm footing is to be made sure.

Front glasses

Single-pane safety glass (according to German safety standard ESG), embedded in permanently elastic, weatherproof special gaskets.

Faces (backlighted)

Acrylic plastic, translucent, white, 5 mm, large DIN black bar markings. Very distinctive and easy doubt-free reading even over longer distances. Other face and hand variations are available on request (options). Faces printed according to DIN 41 049.

Illumination

Fluorescent tubes for 230 VAC/50...60 Hz are installed and wired as standard. As an option, LED tubes can be included instead of fluorescent tubes.

Hands

Pointed black DIN bar-type hands (DIN 41 902) for hour and minute. Distinctive red "Railway Station clock" type second hands with "eye" on slave clock with synchronous second hands (74.xxx) only.



Outdoor analog four faces

Type series

790



DCF77 radio controlled clocks

DCF77 radio controlled clocks of this type series will be supplied including a remotable DCF77 aerial (IP 68). Thus, optimum reception quality can be achieved regardless of the final placement of the clock itself. However, DCF77 radio controlled clocks will only function correctly within a radius of approx. 1,500 km around Mainflingen (50 km east of Frankfurt/M.).

PEWETA DCFport24
PEWETA DCFport24 slave clocks require a PEWETA master clock (see from page 172 on).

PEWETA AirPort24
PEWETA AirPort24 slave clocks require an AirPort24 transmitter or repeater respectively (see page 177).

NTP
NTP system clocks require a PEWETA master clock (see from page 172 on) or an NTP time server (see page 179).

Clock type	Face dimensions ▶	600 x 600 mm		800 x 800 mm	
		Item No.	€ each	Item No.	€ each
DCF77 radio controlled clock, mains operated 230 VAC ¹⁾		52.790.626	6,230.–	52.790.826	7,990.–
Slave clock, minute pulse 12...60 V		71.790.626	5,690.–	71.790.826	7,450.–
Slave clock, min. pulse 12/24 V, synch. second hand 230 VAC/50 Hz		74.790.626	7,470.–	74.790.826	9,230.–
Telegramm-Nebenuhr, DCFport24, 24 V, Netzbetrieb 230 V ²⁾		83.790.626	6,100.–	83.790.826	7,860.–
Funktelegramm-Nebenuhr, AirPort24, Netzbetrieb 230 V, mit Gangreserve		85.790.626	6,335.–	85.790.826	8,095.–
NTP-Systemuhr (NTP client), Synchronisation über LAN, PoE ³⁾		91.790.626	6,460.–	91.790.826	8,220.–

Accessories	Item No.	€ each
Pole adapter, length outside case 300 mm, for mounting on top of existing pole (measurements are to be coordinated)	01.790.001	890.–
Reinforced floor plate, necessary for on-site mounting	01.790.003	350.–
Shipment packing (sturdy wood crate/planking)	01.790.004	on request

Options	Suffix	Surcharge € each
Case custom enamelled	-10	on request
Case with lugs for suspension by ropes or chains (indoor mounting only)	-30	475.–
Faces with nostalgic hands and Roman numerals (instead of bar markings with bar-type hands)	-24	on request
Backlighting by LED tubes (instead of fluorescent tubes)	-43	650.–
Light-sensitive switch for internal illumination	-44	390.–
Custom logo on clock face	-47	on request

Clocks of this type series are also available with Arabic numerals.

To order, replace the 7th digit "2" of the Item No. by "1", Example: 71.790.616. Faces with Arabic numerals.

Options – just as you like them ...

These clocks are available optionally with customised features at the surcharges as listed. Just pick your option(s) and add the appropriate suffix(es) to the Item No.

Security advice:

Fulfilment of local building standards and other pertinent safety regulations as well as preparation of the mounting surface or load bearing calculations for the foundation and wind loads on the supporting structure are always the responsibility of the customer and/or his architect/building contractor.

¹⁾ A remotable DCF77 receiving aerial is included in delivery shipment.

²⁾ DCFport24 pulse telegram slave clocks require a 230 VAC power supply.

³⁾ NTP system clocks of "PoE" type require a PoE (Power over Ethernet) power supply. Appropriate hardware has to be supplied by customer.