

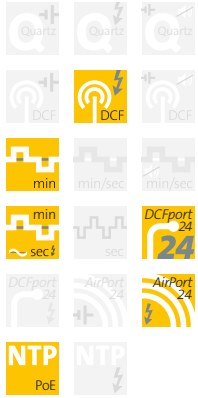
# Outdoor Clocks (also suitable for large halls) double face, round, **backlighted by LED**



Outdoor  
analog  
double face

Type series

**752**



74.752.622 shown

Extraordinarily sturdy **high quality industrial grade** outdoor clocks, also suitable for indoors. Solid workmanship, **backlighted by LED**, weather protected case (IP 54/EN 60 529).



71.752.623 -48

Clocks of this type series with Arabic numerals bear the Item Number suffix **-48**.

**Case**

■ cir. 670 mm diameter  
 ■ cir. 902 mm diameter  
 weatherproof aluminium case. Outside 2-layer tempered enamel, light grey (RAL 7035). Optionally custom enamelled, at a surcharge. Extraordinarily solid construction, incl. light fitting. Absolutely corrosion resistant and weatherproof. Protection grade IP 54 (EN 60 529).

**Mounting**

Choice of wall or ceiling mounting, standard length cir. 240 mm. Optionally, at a surcharge, a ceiling suspension in extended length, cir. 480 mm, or a pole adapter are available.

**Front glasses**

Shock-resistant, highly transparent 4 mm Plexiglas® XT. For locations prone to impact or public areas, unbreakable Makrolon® (polycarbonate) front glasses are available as an option.

**Faces (backlighted)**

Acrylic plastic, white, translucent, 5 mm thick, large black DIN bar markings (or black Arabic numerals as an option). Very distinctive and easy doubt-free reading even over longer distances. Faces printed according to DIN 41 049.

**Illumination**

Backlighting by durable, maintenance-free light-emitting diodes (LEDs), operating voltage 230 VAC/50...60 Hz. As an option, a light-sensitive switch can be included.

**Hands**

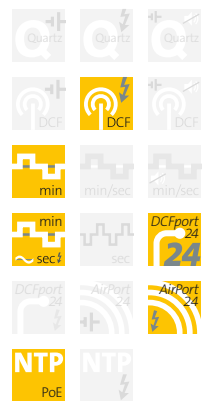
Pointed black DIN bar-type hands (DIN 41 092) for hour and minute. Distinctive red "Railway Station clock" type second hands with "eye" on slave clock with synchronous second hands (74.xxx) only.

No second hands on other clock types.



**Outdoor analog double face**

Type series  
**752**

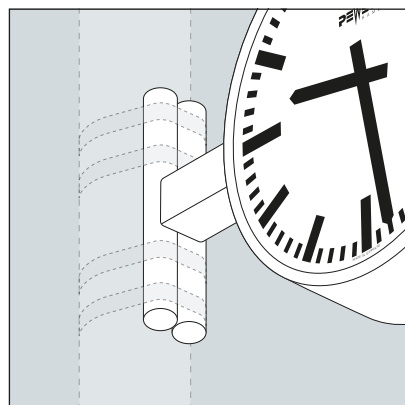


Clock type	Face diameter ▶ Mounting ▼	600 mm		800 mm	
		Item No.	€ each	Item No.	€ each
DCF77 radio controlled clock, mains operated 230 VAC <sup>1)</sup>	wall	52.752.622	2,540.–	52.752.822	3,610.–
	ceiling	52.752.623	2,540.–	52.752.823	3,610.–
Slave clock, minute pulse 12...60 V	wall	71.752.622	2,050.–	71.752.822	3,120.–
	ceiling	71.752.623	2,050.–	71.752.823	3,120.–
Slave clock, minute pulse 12/24 V, synchronous second hand 230 VAC/50 Hz	wall	74.752.622	3,050.–	74.752.822	4,120.–
	ceiling	74.752.623	3,050.–	74.752.823	4,120.–
Telegram slave clock, DCFport24, 24 V <sup>2)</sup>	wall	81.752.622	2,410.–	81.752.822 <sup>2)</sup>	3,480.–
	ceiling	81.752.623	2,410.–	81.752.823 <sup>2)</sup>	3,480.–
RC telegram slave clock, AirPort24, mains operated 230 VAC	wall	85.752.622	2,640.–	85.752.822	3,710.–
	ceiling	85.752.623	2,640.–	85.752.823	3,710.–
NTP system clock (NTP client), synchronisation by LAN, PoE <sup>3)</sup>	wall	91.752.622	2,820.–	91.752.822	3,890.–
	ceiling	91.752.623	2,820.–	91.752.823	3,890.–

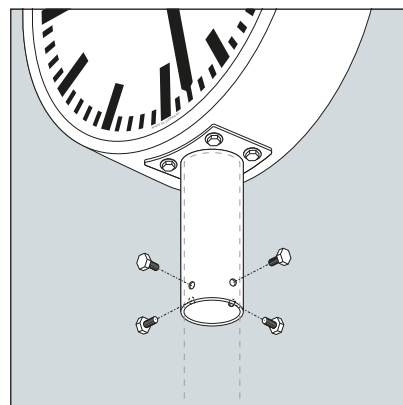
Options	Suffix	Surcharge € each
Case custom enamelled	-10	on request
Case with lugs for suspension by ropes or chains (indoor mounting only)	-30	on request
Ceiling suspension extended length, cir. 480 mm	-32	195.–
Pole adapter for lateral mounting by means of stainless steel tightening straps (not included)	-35	125.–
Pole adapter for central mounting (mounting bracket, length cir. 300 mm)	-36	on request
Light-sensitive switch for internal illumination	-44	250.–
Custom logo on clock face	-47	on request
Face with Arabic numerals instead of DIN bar markings	-48	on request
Unbreakable Makrolon® front glasses instead of Plexiglas® (for 670 mm diameter clocks only)	-56	on request

**Options – just as you like them ...**

These clocks are available optionally with customised features at the surcharges as listed. Just pick your option(s) and add the appropriate suffix(es) to the Item No.



Pole adapter for lateral mounting by means of stainless steel tightening straps, suffix -35



Pole adapter for central mounting, suffix -36

<sup>1)</sup> A removable DCF77 receiving aerial is included in delivery shipment.  
<sup>2)</sup> DCFport24 pulse telegram slave clocks with 800 mm face diameter require a 230 VAC power supply.  
<sup>3)</sup> NTP system clocks of "PoE" type require a PoE (Power over Ethernet) power supply. Appropriate hardware has to be supplied by customer.

**DCF77 radio controlled clocks**  
 DCF77 radio controlled clocks of this type series will be supplied including a removable DCF77 aerial (IP 68). Thus, optimum reception quality can be achieved regardless of the final placement of the clock itself. However, DCF77 radio controlled clocks will only function correctly within a radius of approx. 1,500 km around Mainflingen (50 km east of Frankfurt/M.).

**PEWETA DCFport24**  
 PEWETA DCFport24 slave clocks require a PEWETA master clock (see from page 178 on).

**PEWETA AirPort24**  
 PEWETA AirPort24 slave clocks require an AirPort24 transmitter or repeater respectively (see page 183).

**NTP**  
 NTP system clocks require a PEWETA master clock (see from page 178 on) or an NTP time server (see page 185).