

Analog Clocks for In-Wall Mounting

ideal for surgical operating rooms and other clean rooms



Indoor
analog
flush-mounted

Type series

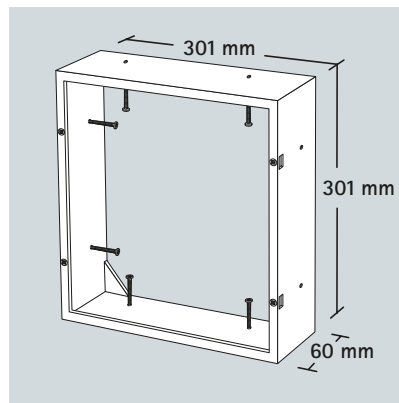
470



73.470.320

for mounting in conventional brick-and-plaster walls shown

These square analog clocks with stainless steel V4A cases were designed with the surgical operating room in mind. Mounted in-wall, flush with the surface, these reliable and accurate clocks meet all hygienic standards. Also suitable for all other demanding environments such as the pharmaceutical, beverage and food industries.



Metal mounting frame 01.470.300 for in-wall mounting in conventional brick walls (flush with tiles or plaster)



Clock 73.470.330 (with fine-line markings) for in-wall mounting with spring-clip attachment device 01.470.301 for stud-and-panel wall mounting

Case

■ cir. 301 x 301 mm
very high grade stainless steel case (1.4571 X6CrNiMoTi 17-12-2, German trade name V4A), for mounting flush with wall tiles or plaster. Visible surface with a matted finish, resistant to acids, detergents and disinfectants. In mounted condition protected against dust and moisture to IP 54 (EN 60 529).

Mounting

- built-in/plaster
- in stud-and-panel wall
- on-wall mounting (optional)

A metal mounting frame for conventional brick walls or a spring-clip device for stud-and-panel walls is supplied with the clock. Optionally, at a surcharge, the clock may also be configured for on-wall mounting.

Front glass

Flat mineral glass, 3 mm. Optionally treated for low reflectivity.

Face

High distinction white metal with black DIN bar or black fine-line markings. Face printed according to DIN 41 091.

Hands

Black bar-type hour and minute hands, red second hand.

No second hands on minute pulse 12...60 V controlled slave clocks.

Stainless steel V4A

Due to its components stainless steel V4A is not only completely impervious to detergents and disinfectants but also to acids and other aggressive media. The flush-mounted clocks of this type series are therefore particularly suited for the use surgical operating rooms and other clean rooms.



Indoor
analog
flush-mounted

Type series

470



DCF77 radio controlled clocks

DCF77 radio controlled clocks of this type series will be supplied including a removable DCF77 aerial (IP 68). Thus, optimum reception quality can be achieved regardless of the final placement of the clock itself. However, DCF77 radio controlled clocks will only function correctly within a radius of approx. 1,500 km east of Mainflingen (50 km east of Frankfurt/M.).

PEWETA DCFport24

PEWETA DCFport24 slave clocks require a PEWETA master clock (see from page 172 on).

PEWETA AirPort24

PEWETA AirPort24 slave clocks require an AirPort24 transmitter or repeater respectively (see page 177).

NTP

NTP system clocks require a PEWETA master clock (see from page 172 on) or an NTP time server (see page 179).

Mounting dimensions	with mounting frame	for stud-and-panel walls
Clock case (width x height)	cir. 301 x 301 mm	cir. 301 x 301 mm
Wall breakout (width x height)	cir. 301 x 301 mm	cir. 282 x 277 mm
Depth	cir. 63 mm	cir. 60 mm
Technical data		
Face	print diameter	cir. 235 mm
	face dimensions	cir. 270 x 270 mm
Power consumption	slave clock, minute pulse 24 V	cir. 6 mA
	slave clock, minute/second pulse 24 V	cir. 12 mA

Clock type	DIN bars Item No.	€ each	fine-line Item No.	€ each
DCF77 radio controlled clock, mains operated 230 VAC ¹⁾	52.470.320	965.-	52.470.330	965.-
Slave clock, minute pulse 12...60 V	71.470.320	735.-	71.470.330	735.-
Slave clock, minute/second pulse 12/24 V	72.470.320	960.-	72.470.330	960.-
Slave clock, minute/second pulse 12/24 V, extra low noise motion	73.470.320	1,100.-	73.470.330	1,100.-
Slave clock, minute pulse 12/24 V, synchronous second hand 230 VAC/50 Hz	74.470.320	1,145.-	74.470.330	1,145.-
Slave clock, second pulse 12/24 V, with creeping minute hand	75.470.320	1,120.-	75.470.330	1,120.-
Telegram slave clock, DCFport24, 12/24 V	81.470.320	745.-	81.470.330	745.-
RC telegram slave clock, AirPort24, mains operated 230 VAC, with outage reserve	85.470.320	910.-	85.470.330	910.-
NTP system clock (NTP client), synchronisation by LAN, PoE ³⁾	91.470.320	895.-	91.470.330	895.-

Mounting kits (please order one frame or kit per clock)	Item No.	€ each
Metal mounting frame for in-wall mounting in conventional brick walls	01.470.300	none
Mounting kit for stud-and-panel walls (spring-clip attachment device/no mounting frame required)	01.470.301	none
Case for on-wall mounting (stainless steel V4A)	01.470.302	269.-

Option	Suffix	Surcharge € each
Front glass treated for low reflectivity	-49	49.-

¹⁾ A removable DCF77 receiving aerial (IP 68) is included in delivery shipment.

²⁾ NTP system clocks of "PoE" type require a PoE (Power over Ethernet) power supply. Appropriate hardware has to be supplied by customer.